

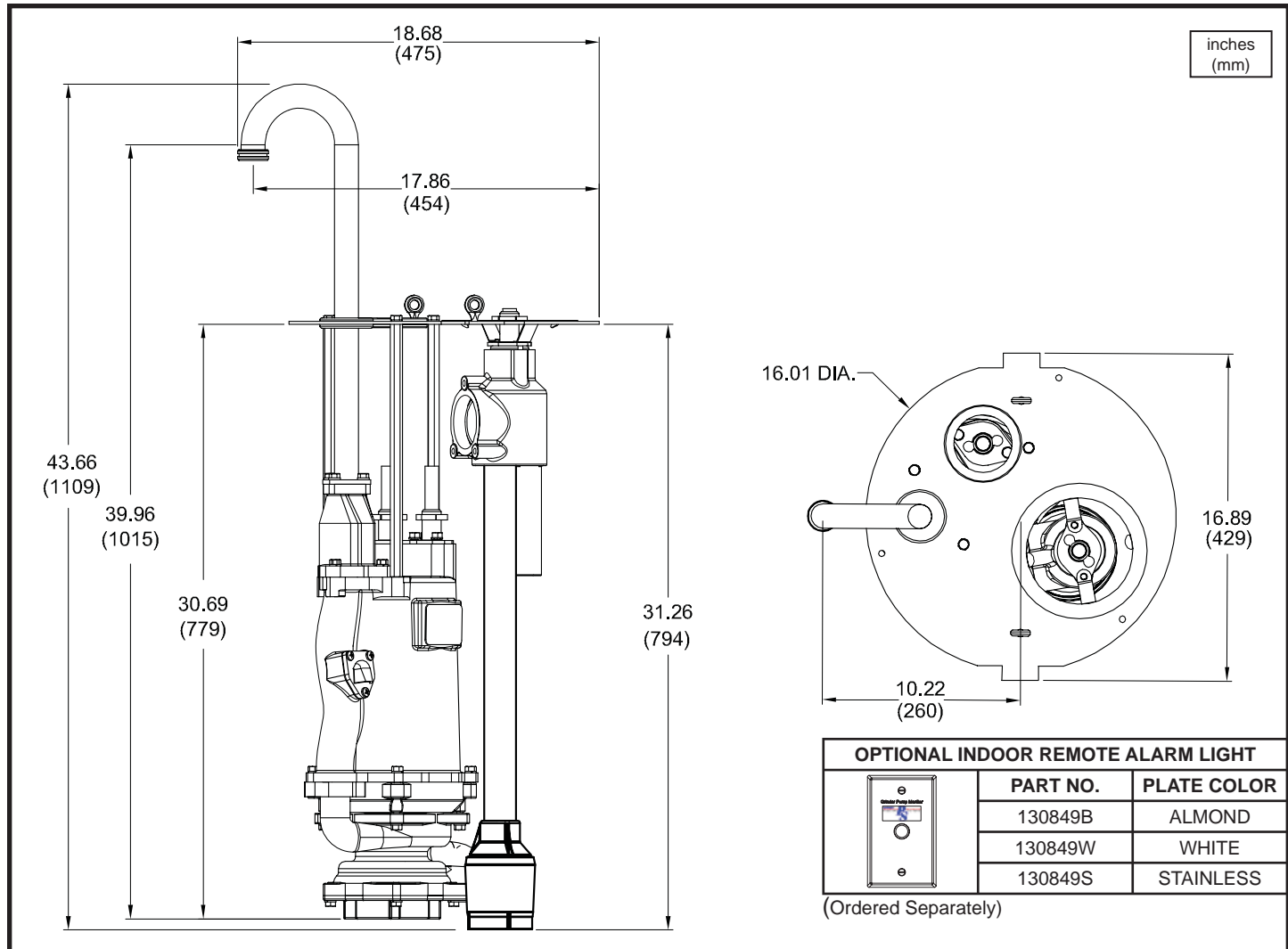
Model OGP2022CO

Fixed Discharge Replacement Core Unit



www.cranepumps.com

Submersible Grinder Pumps



MODEL NO	PART NO	HP	VOLT/PH	Hz	RPM (Nom)	NEMA START CODE	FULL LOAD AMPS	LOCKED ROTOR AMPS	CORD SIZE	CORD TYPE	CORD O.D. ± .02 (.5) in (mm)	with EQD
OGP2022CO	119425	2	240/1	60	3450	H	16.5	53.8	12/5 - 15'	SOW	.71 (18)	No
OGP2022CO	119425XC	2	240/1	60	3450	H	16.5	53.8	12/5 - 30'	SOW	.71 (18)	No
OGP2022CO	119425E	2	240/1	60	3450	H	16.5	53.8	12/5 - 15'	SOW	.71 (18)	Yes
OGP2022CO	119425EXC	2	240/1	60	3450	H	16.5	53.8	12/5 - 30'	SOW	.71 (18)	Yes

Optional Circuit Breakers - Ordered Separately	
PART NO.	DESCRIPTION
113291B	20 AMP, GE THQP Snap in Breaker
105476	20 AMP, DIN Rail Breaker

IMPORTANT !

- PUMP MAY BE OPERATED "DRY" FOR EXTENDED PERIODS WITHOUT DAMAGE TO MOTOR AND/OR SEALS.
- THIS PUMP IS APPROPRIATE FOR THOSE APPLICATIONS SPECIFIED AS CLASS I DIVISION II HAZARDOUS LOCATIONS.
- THIS PUMP IS NOT APPROPRIATE FOR THOSE APPLICATIONS SPECIFIED AS CLASS I DIVISION I HAZARDOUS LOCATIONS.
- INSTALLATIONS SUCH AS DECORATIVE FOUNTAINS OR WATER FEATURES PROVIDED FOR VISUAL ENJOYMENT MUST BE INSTALLED IN ACCORDANCE WITH THE NATIONAL ELECTRIC CODE ANSI/NFPA 70 AND/OR THE AUTHORITY HAVING JURISDICTION. THIS PUMP IS NOT INTENDED FOR USE IN SWIMMING POOLS, RECREATIONAL WATER PARKS, OR INSTALLATIONS IN WHICH HUMAN CONTACT WITH PUMPED MEDIA IS A COMMON OCCURRENCE.

SECTION A
PAGE 14
DATE 2/11

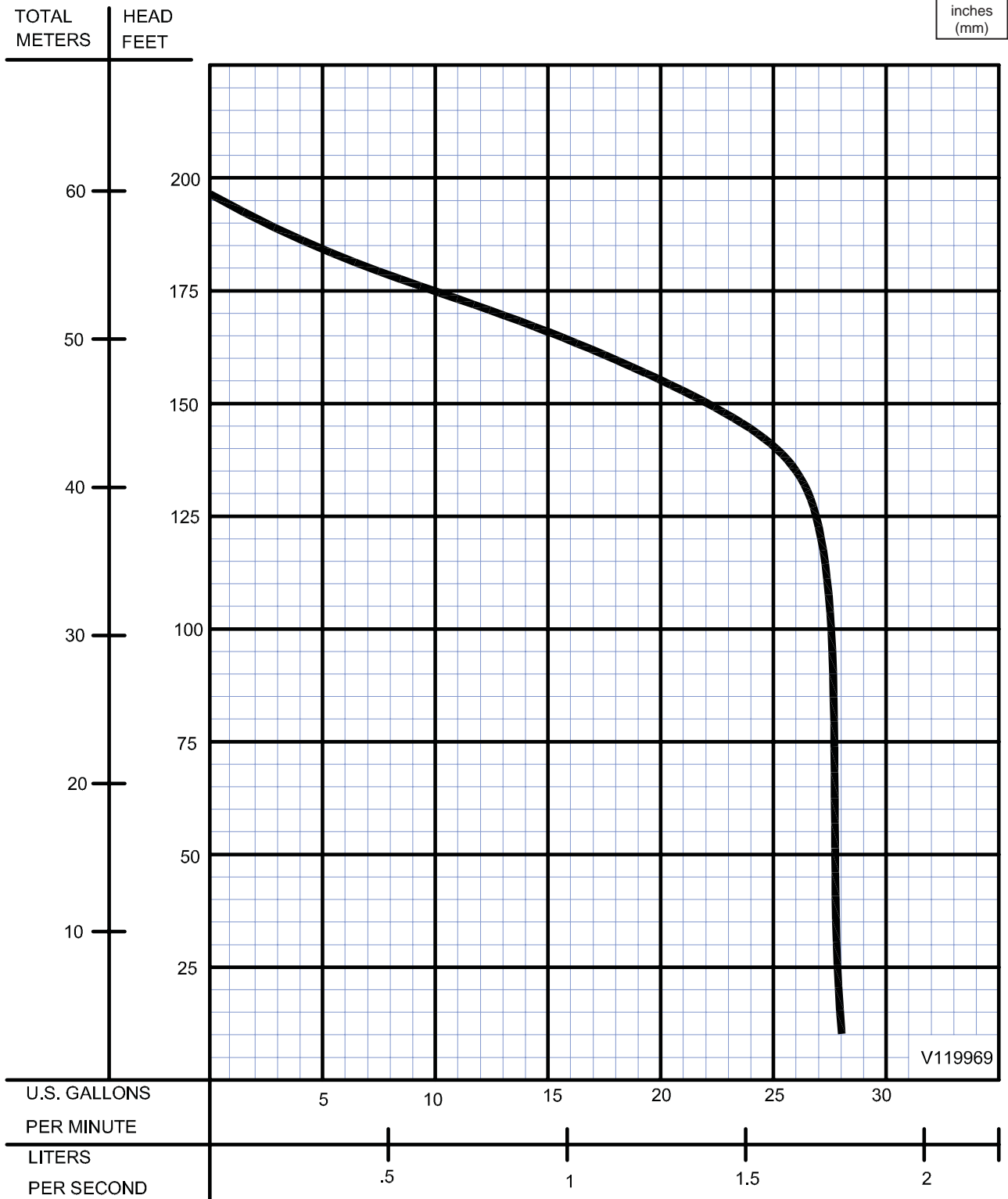


PUMPS & SYSTEMS

A Crane Co. Company

USA: (937) 778-8947 • Canada: (905) 457-6223 • International: (937) 615-3598

Submersible Grinder Pumps



V119969

Performance curve includes impact of integral anti-siphon and check valve.
Testing is performed with water, specific gravity 1.0 @ 68° F @ (20°C), other fluids may vary performance