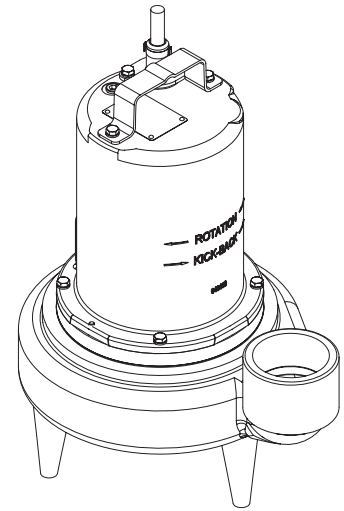


Submersible Non-Clog Pumps

DISCHARGE	3" NPT, Vertical
LIQUID TEMPERATURE	104°F (40°C) Continuous
VOLUTE	Cast Iron ASTM, Class 30
MOTOR HOUSING	Cast Iron ASTM, Class 30
SEAL PLATE	Cast Iron ASTM A-48, Class 30
IMPELLER: Design	2 Vane, Semi-open with pump out vanes on back side. Dynamically balanced, ISO G6.3
Material	Cast Iron ASTM A-48, Class 30
SHAFT	416 Stainless Steel
SQUARE RINGS	Buna-N
HARDWARE	300 Series Stainless Steel
PAINT	Air Dry Enamel
SEAL: Design	Single Mechanical
Material	Carbon/Ceramic/Buna-N
	Hardware -300 Series Stainless
CORD ENTRY	30 ft. (9.1m) Cord. Quick connect custom molded for sealing and strain relief
UPPER BEARING	Single Row, Ball, Oil lubricated
LOWER BEARING	Single Row, Ball, Oil lubricated
MOTOR: Design	NEMA L -Single Phase, NEMA B -Three phase
	Torque Curve, Oil Filled, Squirrel Cage Induction
Insulation	Class B
SINGLE PHASE	Permanent Split Capacitor (PSC)
	Includes Overload Protection in Motor
THREE PHASE	200-240/480 is Tri-Voltage. 575. Requires Overload Protection to be included in control panel
OPTIONAL EQUIPMENT	Seal Material, Impeller Trims, Additional cord, Normally Closed Temperature Sensors with cord for 3 phase pumps (Requires relay in control panel).
ACCESSORIES	Break Away Fitting (BAF) Check Valve Control Panel

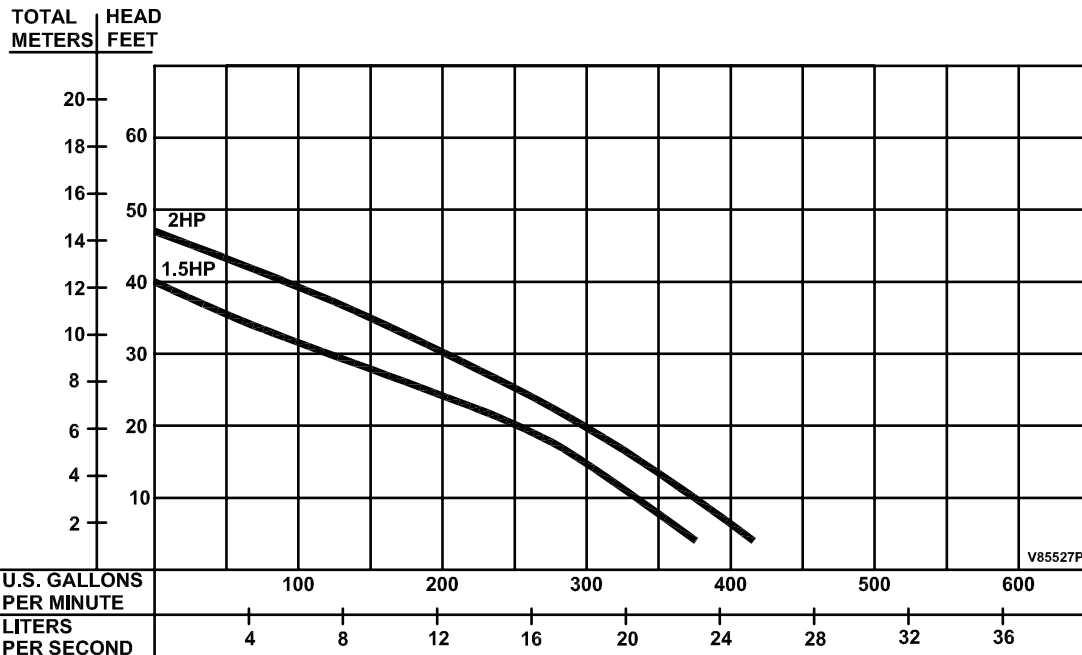


Series: 3SE-L
1.5 & 2HP, 1750RPM, 60Hz



CSA 108 - File No. L16567
UL 778

DESCRIPTION:
SUBMERSIBLE NON-CLOG SEWAGE PUMP DESIGNED FOR TYPICAL RAW SEWAGE APPLICATIONS

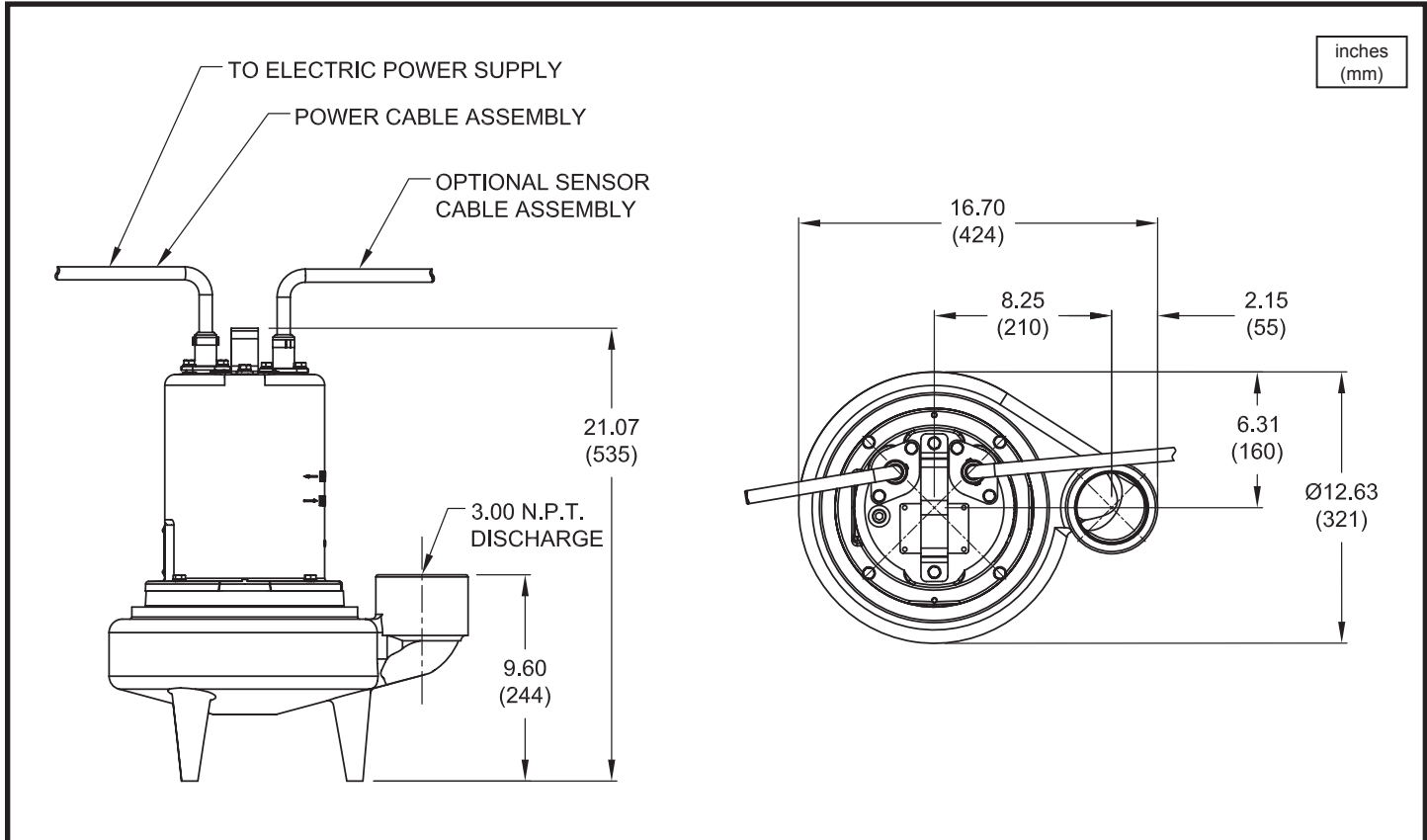


Testing is performed with water specific gravity of 1.0 @ 68°F (20°C), other fluids may vary performance

Series 3SE-L

2½" Spherical Solids Handling
Single Seal

Submersible Non-Clog Pumps



MODEL NO	PART NO	HP	VOLT/PH	Hz	RPM (Nom)	NEMA START CODE	FULL LOAD AMPS	LOCKED ROTOR AMPS	CORD SIZE	CORD TYPE	CORD O.D inch (mm)
3SE1524L	132725	1.5	230/1	60	1750	C	16.0	44.6	12/3	SOOW/SOW	0.610 (15.5)
3SE1594L	132730	1.5	200-230/3	60	1750	D/G	13.3/11.6	35.8/41.2	12/4	SOOW/SOW	0.680 (17.4)
3SE1544L	132735	1.5	460/3	60	1750	G	5.8	20.6	14/4	SOOW/SOW	0.570 (14.5)
3SE1554L	132740	1.5	575/3	60	1750	G	4.6	16.4	14/4	SOOW/SOW	0.570 (14.5)
3SE2024L	132750	2.0	230/1	60	1750	A	19.0	44.6	10/3	SOOW/SOW	0.660 (16.8)
3SE2094L	132752	2.0	200-230/3	60	1750	B/D	15.2/13.2	35.8/41.2	12/4	SOOW/SOW	0.680 (17.4)
3SE2044L	132754	2.0	460/3	60	1750	D	6.6	20.6	14/4	SOOW/SOW	0.570 (14.5)
3SE2054L	132756	2.0	575/3	60	1750	D	5.2	16.4	14/4	SOOW/SOW	0.570 (14.5)

Optional - Temperature Sensor Cord for 3 Phase models are 14/3 & 18/5. SOOW / SOW, 0.530 (13.5mm) / 0.470 (11.9mm) O.D.

IMPORTANT !

- 1.) PUMP MAY BE OPERATED "DRY" FOR EXTENDED PERIODS WITHOUT DAMAGE TO MOTOR AND/OR SEALS.
- 2.) THIS PUMP IS APPROPRIATE FOR THOSE APPLICATIONS SPECIFIED AS CLASS I DIVISION 2 HAZARDOUS LOCATIONS.
- 3.) THIS PUMP IS NOT APPROPRIATE FOR THOSE APPLICATIONS SPECIFIED AS CLASS I DIVISION 1 HAZARDOUS LOCATIONS.
- 4.) INSTALLATIONS SUCH AS DECORATIVE FOUNTAINS OR WATER FEATURES PROVIDED FOR VISUAL ENJOYMENT MUST BE INSTALLED IN ACCORDANCE WITH THE NATIONAL ELECTRIC CODE ANSI/NFPA 70 AND/OR THE AUTHORITY HAVING JURISDICTION. THIS PUMP IS NOT INTENDED FOR USE IN SWIMMING POOLS, RECREATIONAL WATER PARKS, OR INSTALLATIONS IN WHICH HUMAN CONTACT WITH PUMPED MEDIA IS A COMMON OCCURRENCE.

SECTION C
PAGE 34
DATE 7/12



A Crane Co. Company

PUMPS & SYSTEMS

USA: (937) 778-8947 • Canada: (905) 457-6223 • International: (937) 615-3598