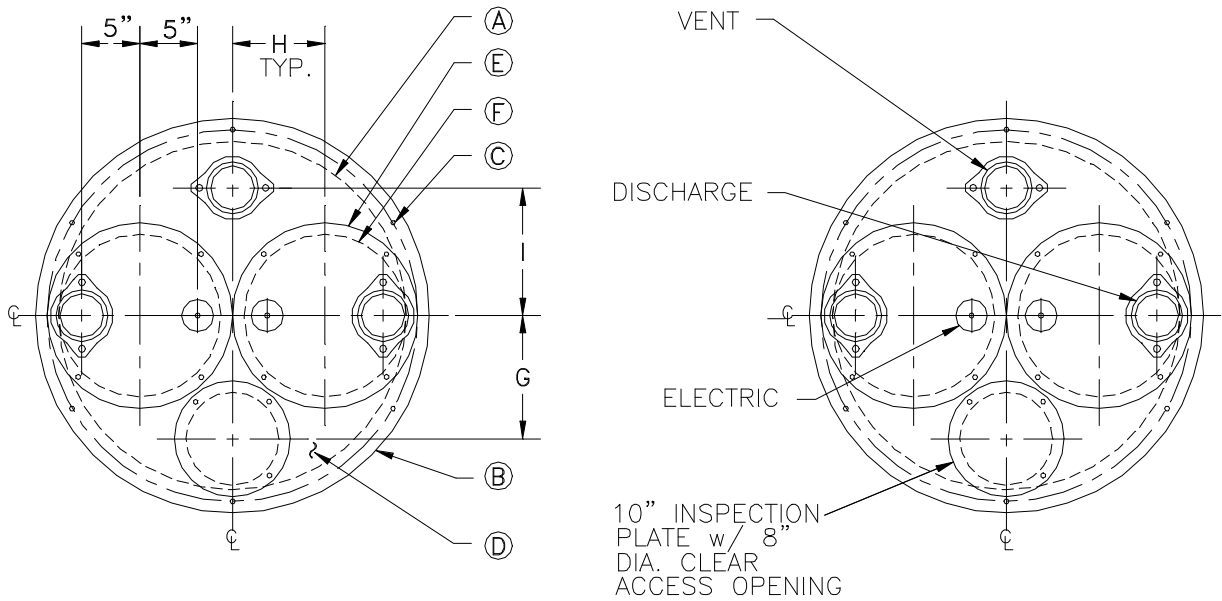


DUPLEX COVER - 3/8" THICK PVC



PART NO.	(A) BASIN INSIDE DIM.	(B) OUTSIDE DIM.	(C) BOLT CIRCLE	(D) THICKNESS	(E) ACCESS PLATE DIM.	(F) CLEAR ACCESS DIM.	(G) DISTANCE	(H) DISTANCE	(I) DISTANCE
C36DSA-PVC	36	40	38.5	.375	18	16	13	9	14

ALL DIMENSIONS IN INCHES

* Stainless Steel Hardware & Gasket Tape For Gas Tight Seal Provided

INDUSTRIES
TOPP
INCORPORATED

Reference: -

Highway 25 North P.O. Box 420
Rochester, IN 46975
Phone: 800/354-4534 Fax: 574/223-8106

Scale: None

Drawn By: RM

App'd By: .

Date: 07/08/03

This print is and contains confidential proprietary information owned exclusively by TOPP INDUSTRIES, INC. It is furnished on a strictly confidential basis. This restriction includes, but is not limited to the condition that this print will not only be used as a record or to identify or inspect parts or for other information purposes and will not be used to manufacture or procure the manufacture of the items shown in this print by any other source than TOPP INDUSTRIES, INC.

Supersedes Prints
Prior To: 07/08/03

Reference
No: