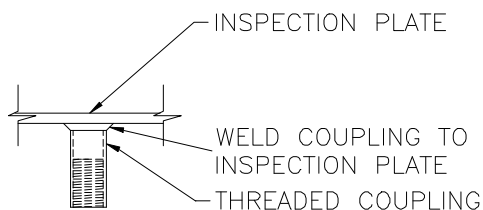
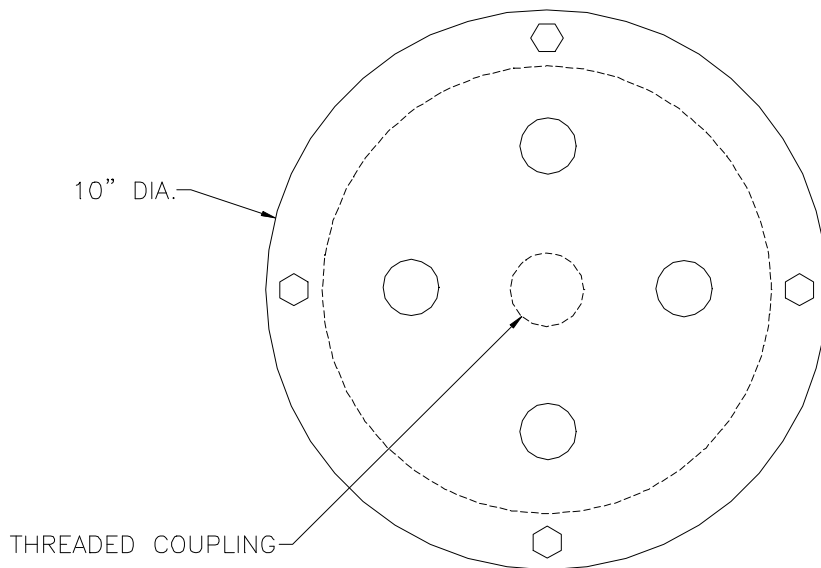
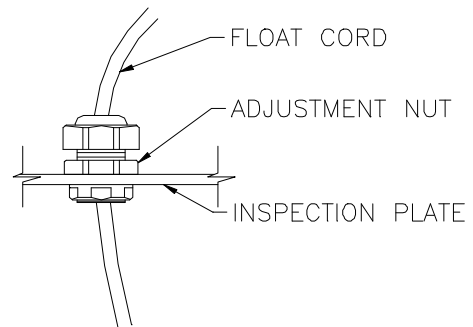


FLOAT SWITCH ACCESS COVER - 1/4" THICK STEEL



* THREADED COUPLING DETAIL



* CORD LEVEL GRIP DETAIL

* Stainless Steel Hardware & Gasket Tape For Gas Tight Seal Provided

Model IN04

INDUSTRIES
TOPP
INCORPORATED

FLOAT CONTROL PLATE		Scale: None	<small>This print is and contains confidential proprietary information owned exclusively by TOPP INDUSTRIES, INC. It is furnished on a strictly confidential basis. This restriction includes, but is not limited to the condition that this print will not only be used as a record or to identify or inspect parts or for other information purposes and will not be used to manufacture or procure the manufacture of the items shown in this print by any other source than TOPP INDUSTRIES, INC.</small>
Reference:	-	Drawn By: RM	
		App'd By: . Date: 07/08/03	
Highway 25 North P.O. Box 420 Rochester, IN 46975 Phone: 800/354-4534 Fax: 574/223-6106		Supersedes Prints Prior To: 07/08/03	Reference No: 10097

Revisions	
①	First Released 06/27/03