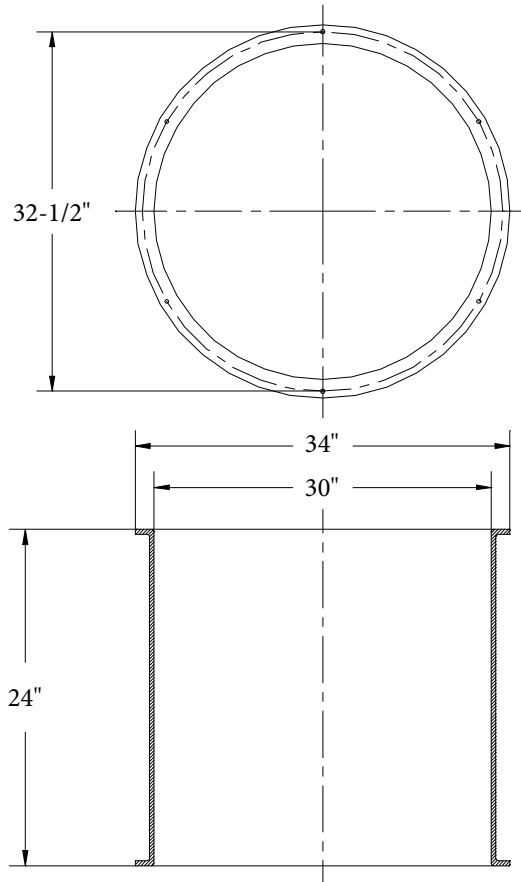


# FIBERGLASS BASIN EXTENSION



| PART NO.    | Ⓐ<br>EXTENSION<br>INSIDE<br>DIA. | Ⓑ<br>EXTENSION<br>OUTSIDE<br>DIA. | Ⓒ<br>EXTENSION<br>DEPTH | Ⓓ<br>BOLT<br>CIRCLE<br>DIA. |
|-------------|----------------------------------|-----------------------------------|-------------------------|-----------------------------|
| FG30x024-EX | 30                               | 34                                | 24                      | 32-1/2                      |

ALL DIMENSIONS IN INCHES



|   |   |  |
|---|---|--|
| Fiberglass Basin Extension<br>Reference:  | Scale: None<br>Drawn By: <i>RM</i><br>App'd By: .<br>Date: 03/02/04 | This print is and contains confidential proprietary information owned exclusively by TOPP INDUSTRIES, INC. It is furnished on a strictly confidential basis. This restriction includes, but is not limited to the condition that this print will not only be used as a record or to identify or inspect parts or for other information purposes and will not be used to manufacture or procure the manufacture of the items shown in this print by any other source than TOPP INDUSTRIES, INC. |
| Highway 25 North P.O. Box 480<br>Rochester, IN 46975<br>Phone: 800/354-4534 Fax: 574/223-8106 | Supersedes Prints<br>Prior To: 03/02/04                             | Reference No: 17509  |

| Revisions |                 |
|-----------|-----------------|
| Ⓐ         | First Released. |
|           |                 |
|           |                 |
|           |                 |