

# Little GIANT®

## 20S SERIES

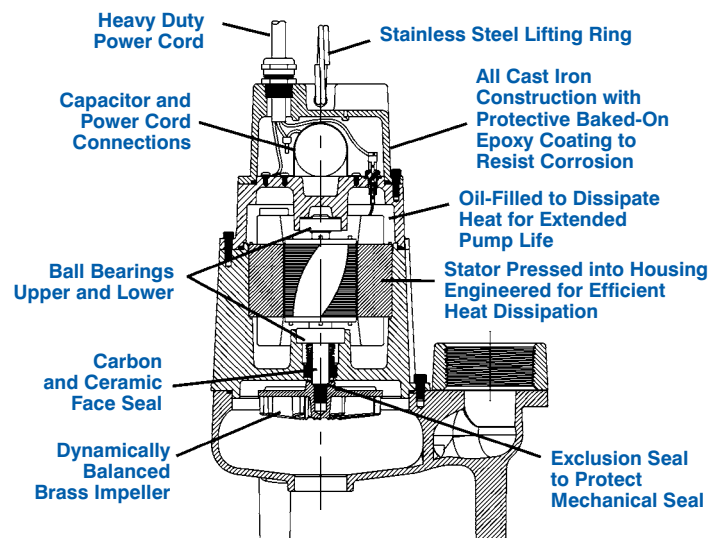


### Features

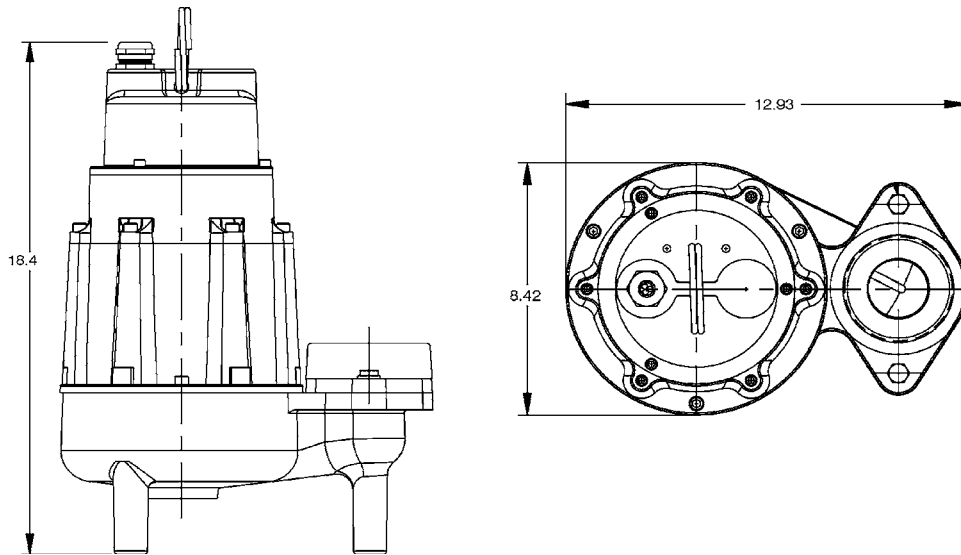
- Handles liquids and solid waste materials up to 2" diameter.
- Cast iron pump housing with protective epoxy coating for corrosion resistance
- Oil-filled motor housing for lifetime lubrication and rapid heat dissipation
- Stainless steel screws, bolts and seal assembly
- Mechanical seal (stainless steel spring, nitrile parts, carbon and ceramic faces) for long life and reliability
- 2 HP ball bearing motor
- Exclusion seal
- Thermal overload protection on single phase units
- Capacitor and power cord isolated from oil-filled motor housing for ease of field maintenance
- Brass impeller



For residential, commercial, industrial and agricultural use. The Model 20S Series sewage ejector pumps handle liquids and solids up to 2" in diameter. Pumps feature 3" FNPT discharge with a maximum head of 77', heavy-duty cast iron construction and stainless steel hardware.



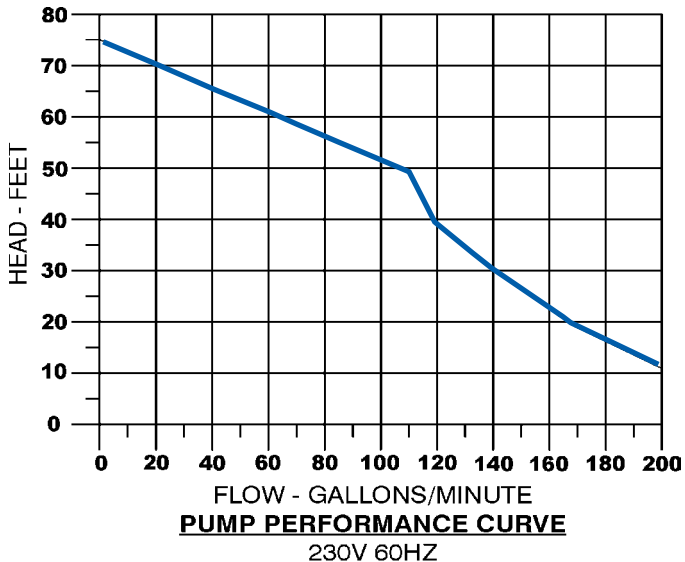
# 20S SERIES



## Specifications

Model No.	Item No.	Listing(s)	Disch. Size (dia. in.)	HP	Volts	Hz.	Ph.	Amps	Motor RPM	Performance (GPM@Head)						Shutoff		Cord Length (ft.)	Weight (lbs.)	Dimensions H x L x W (in.)
										10'	20'	30'	40'	50'	60'	Ft.	P.S.I.			
20S-CIM	520100	UL/CSA	3" FNPT	2	208/230	60	1	18.0	2900	205	168	140	115	90	70	77	33.3	20	96	19.1 x 13.0 x 8.42
20S-CIM	520125	UL/CSA	3" FNPT	2	200-208	60	3*	14.5	3100	205	168	140	115	90	70	77	33.3	20	96	19.1 x 13.0 x 8.42
20S-CIM	520150	UL/CSA	3" FNPT	2	230	60	3*	12.6	3100	205	168	140	115	90	70	77	33.3	20	96	19.1 x 13.0 x 8.42
20S-CIM	520175	UL/CSA	3" FNPT	2	460	60	3*	6.1	3200	205	168	140	115	90	70	77	33.3	20	96	19.1 x 13.0 x 8.42

Continuous Duty Rated — "Little Giant Wastewater pumps are rated continuous duty as long as they are run within the published ratings for these pumps."  
 \*3 phase pumps require control panel



## Construction

Cover	Epoxy-coated cast iron
Motor Housing	Epoxy-coated cast iron
Impeller Material	Red brass
Impeller Type	Non-clog
Volute	Epoxy-coated cast iron
Power Cord	14/3, SOW
Mechanical Shaft Seal	Carbon/Ceramic
Fasteners	Stainless steel
Shaft	Stainless steel
Bearings	Upper and lower ball bearings