

DOUBLE FLOAT® MASTER Pump Switch

Mechanically activated switch designed to control pumps up to 15 FLA, 90 LRA, 120 VAC or 240 VAC.

This mechanically activated, pump switch provides automatic control of pumps in non-potable water and sewage applications. It is well-suited for confined applications requiring an accurate pumping range. It is not sensitive to rotation or turbulence. This switch is voltage sensitive - use with correct voltage.

The **Double Float® Master** pump switch consists of two mechanical floats and a splice tube. The splice tube contains a holding relay which enables the floats to function in series.

The holding relay eliminates pump chatter in turbulent conditions allowing the **Double Float® Master** pump switch to operate relay control panels for larger pump applications.

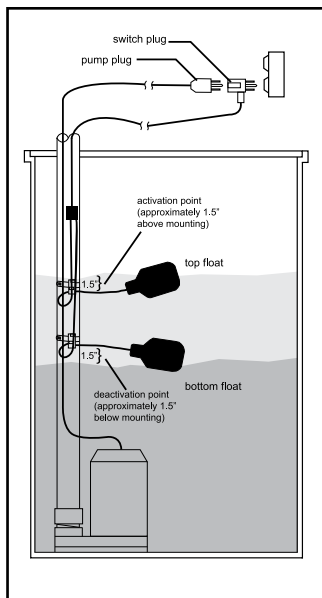
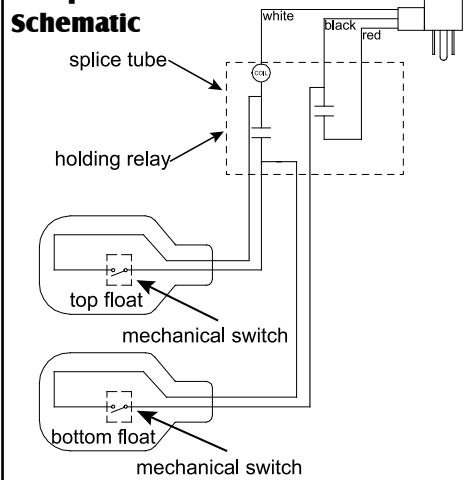


FEATURES

- Controls pumps up to 15 FLA, 90 LRA, 120 VAC or 240 VAC.
- Adjustable pumping range of 3 to 48 inches (7.6 to 122 cm) with increased pumping range up to 6 feet (1.8 meters) available.
- Includes standard mounting clamps and boxed packaging.
- CSA Certified.
- Five-year limited warranty.



Pump Down Schematic



SPECIFICATIONS

Cable attached to float housing: flexible 18 gauge, 2 conductor (UL, CSA) SJOW, water-resistant (CPE)

Cable above splice: flexible 14 gauge, 3 conductor (UL, CSA) SJTW, water-resistant, thermoplastic

FLOATS: 2.74 inch diameter x 4.83 inch long (7.0 x 12.3 cm) high impact, corrosion resistant, PP housing for use in sewage and non-potable water up to 140°F (60°C)

ELECTRICAL:

120 VAC 50/60Hz Single Phase:

Maximum Pump Running Current (FLA):
15 amps

Maximum Pump Starting Current (LRA):
90 amps

240 VAC 50/60Hz Single Phase:

Maximum Pump Running Current (FLA):
15 amps

Maximum Pump Starting Current (LRA):
90 amps

NOTE: This switch must be used with pumps that provide integral thermal overload protection.

OPTIONS

This switch is available:

- for pump down or pump up applications as specified by part number.
- with a 120 VAC or 240 VAC piggy-back plug.
- without a plug for direct wiring (120 VAC units can only be used with 120 VAC applications within specified amp ratings. 240 VAC units can only be used with 240 VAC applications within specified amp ratings).
- in standard cable lengths of 15, 20, or 30 feet and 5 or 10 meters (longer lengths available).

SEE BACKSIDE FOR ORDERING INFORMATION.

SJE
Rhombus

PO Box 1708, Detroit Lakes, MN 56502
1-888-DIAL-SJE • 1-218-847-1317
1-218-847-4617 Fax

email: customer.service@sjerhombus.com

www.sjerhombus.com