

DESCRIPTION OF OPERATION

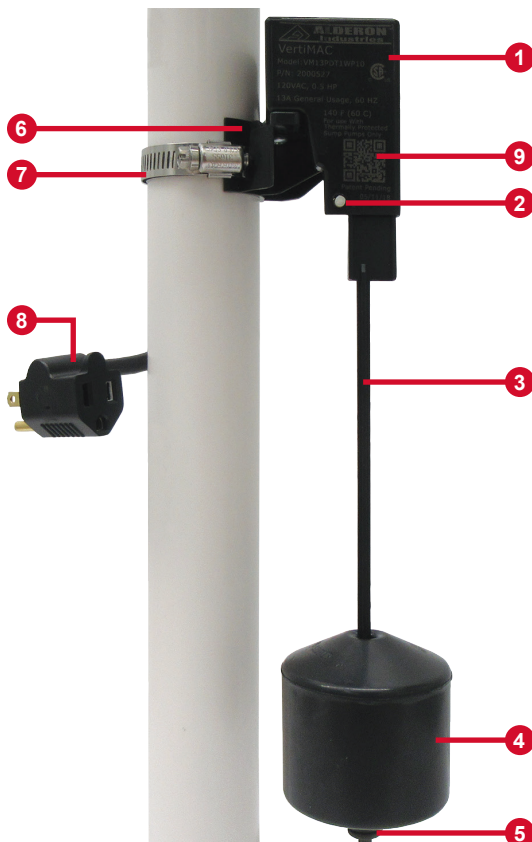


(120VAC piggyback plug model shown)

The VertiMAC™ is a float operated pump switch, typically used in sump pump applications or situations where a regular pump switch cannot operate due to limited space. Available in 120VAC or 240VAC, bare lead (no plug) or piggyback plug, 13 Amp models.

The VertiMAC™ pump switch is mounted in a vertical position to a pipe and is activated by the float upon a rising water level. As the water level rises, the float pushes the actuator rod upward which activates the mechanism inside the pump switch housing and turns the pump on. When the water level recedes, the float lowers the actuator rod downward which deactivates the mechanism inside the pump switch housing and turns the pump off. To adjust the pump differential, slide the rubber grommet up or down the actuator rod for the desired pumping range.

STANDARD FEATURES



(1) VertiMAC™ Pump Switch Housing - Magnetically activated switching mechanism encapsulated in epoxy to ensure a waterproof switch.

(2) Actuator Pin - Connects the actuator rod to the pump switch housing to ensure proper activation of the switching mechanism.

(3) Actuator Rod - Activates or deactivates the mechanism inside the pump switch housing as the float rises or lowers on the rod.

(4) Float - Slides up and down the actuator rod to turn the pump on and off.

(5) Rubber Grommet - Placed on the actuator rod at the determined location for desired pump differential.

(6) Pipe Clamp Bracket - Pre-installed, attaches to the pump switch housing and used to mount the VertiMAC™ pump switch to a pipe.

(7) Stainless Steel Pipe Clamp - Attaches to the pipe clamp bracket and secures the VertiMAC™ pump switch to a pipe at the desired mounting location.

(8) Pump Switch Power Cable - Available in 120VAC or 240VAC, bare lead (no plug) or piggyback plug, 13 Amp models.

(9) QR Code - Scan code which directs you to alderonind.com where additional information can be found for the VertiMAC™ pump switch.

SPECIFICATIONS

VertiMAC™ - Pump Switch

Primary Voltage
120VAC or 240VAC, 60 Hz
(voltage depends on part number)

Electrical
13 Amps
120VAC 0.5HP, 240VAC 1.5HP

Cable Type
SJT, 16 gauge

Connection Types
Bare Lead
(no plug; 120/240VAC)

Piggyback Plug, 120VAC or 240VAC
(voltage depends on part number)

Pumping Range
1.5" - 6.0" (inches)

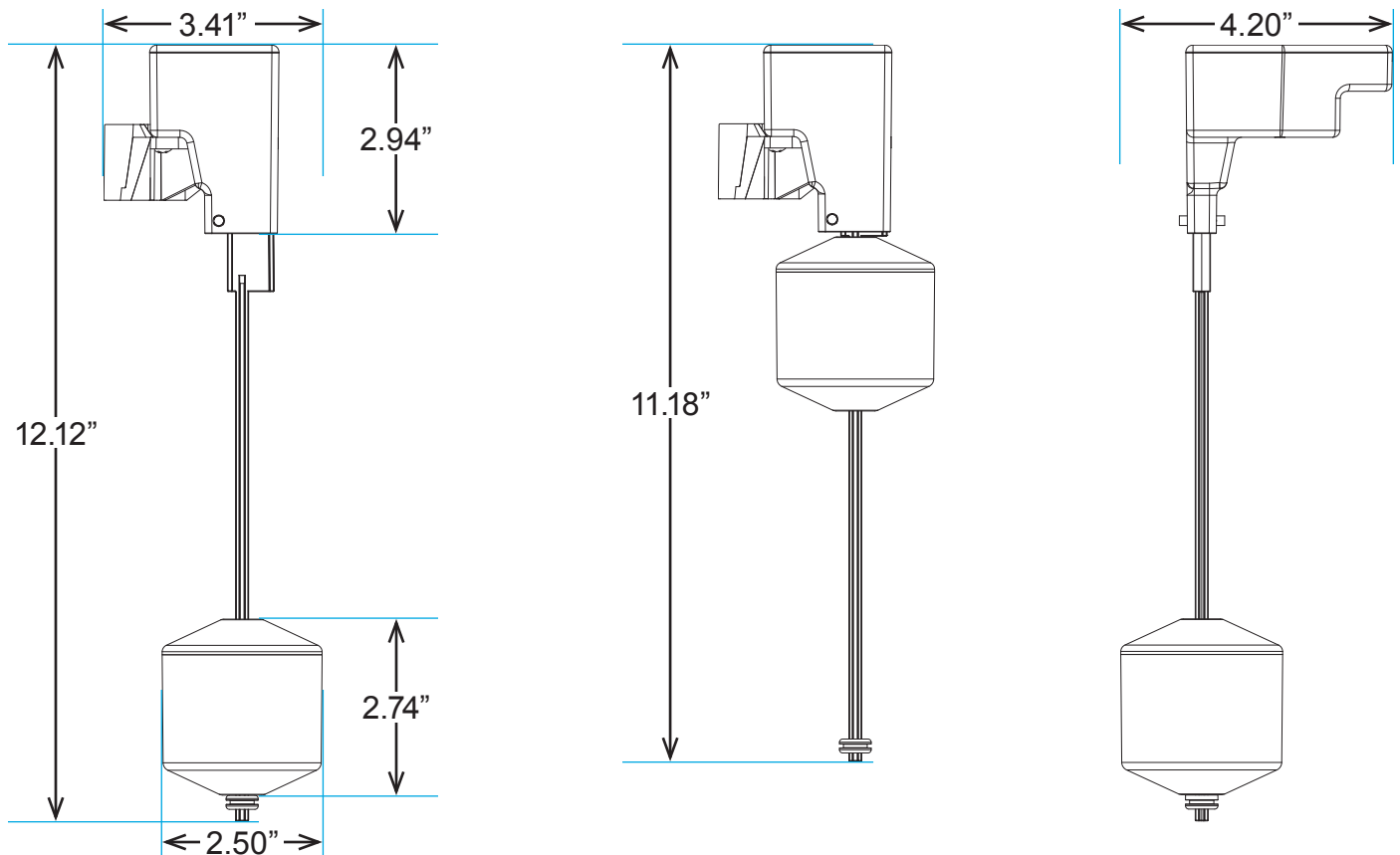
Operating Temperature
0 - 140° F

Certifications
CSA (US and Canada)

Three-Year Limited Warranty

NOTE: The VertiMAC™ pump switch must be used with pumps that provide integral thermal overload protection.

MECHANICAL DRAWING



ORDERING INFORMATION

For a complete list of standard products offered and pricing, refer to the current year price sheet or visit alderonind.com for more information.

PART NUMBER	DESCRIPTION
2000530	VertiMAC™ Pump Switch, 15', 120VAC Piggyback Plug, 13A, Pump Down, Stainless Steel Pipe Clamp, Boxed
2000531	VertiMAC™ Pump Switch, 15', 240VAC Piggyback Plug, 13A, Pump Down, Stainless Steel Pipe Clamp, Boxed
2000532	VertiMAC™ Pump Switch, 15', 120/240VAC No Plug, 13A, Pump Down, Stainless Steel Pipe Clamp, Boxed
2000533	VertiMAC™ Pump Switch, 20', 120VAC Piggyback Plug, 13A, Pump Down, Stainless Steel Pipe Clamp, Boxed
2000534	VertiMAC™ Pump Switch, 20', 240VAC Piggyback Plug, 13A, Pump Down, Stainless Steel Pipe Clamp, Boxed
2000535	VertiMAC™ Pump Switch, 20', 120/240VAC No Plug, 13A, Pump Down, Stainless Steel Pipe Clamp, Boxed